

PANEL CUTOUT  
MAX. PANEL THICKNESS 12mm



SWITCH FUNCTION	
POS. 1	POS. 2
1-2	3-4

▲ ACTUATOR FINISH:  
STAINLESS STEEL

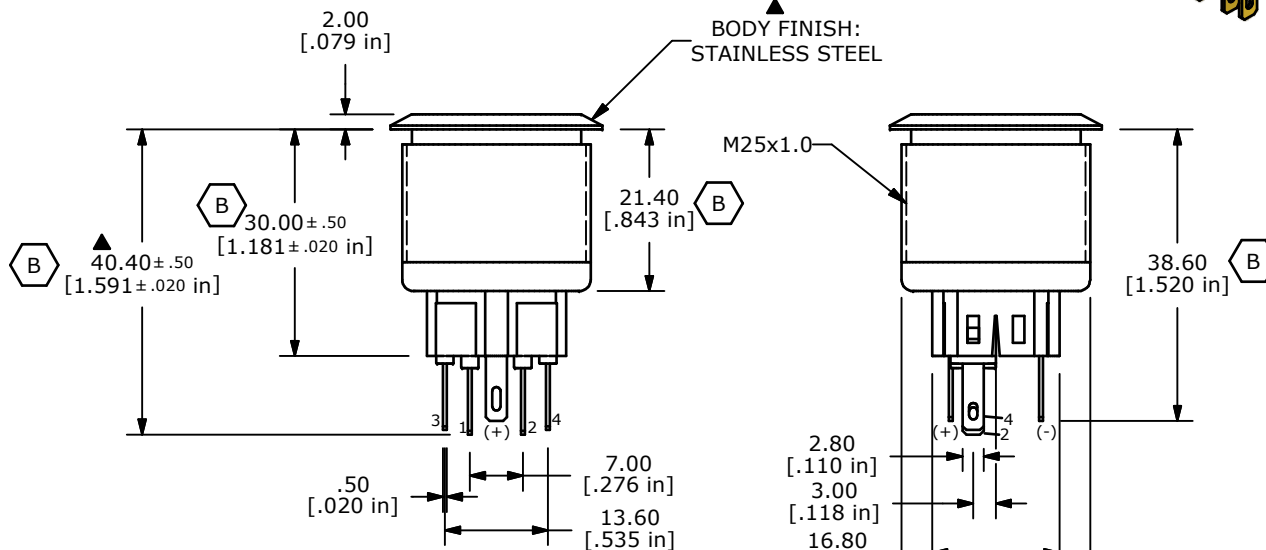
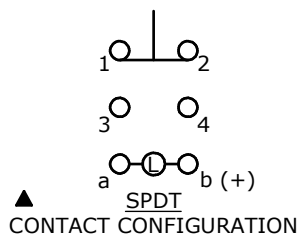
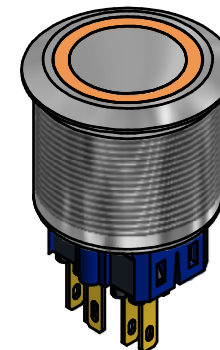
Ø28.00  
[1.102 in]

Ø19.80  
[.780 in]

▲ RING ILLUMINATION  
ORANGE

Ø15.50  
[.610 in]

▲ BODY FINISH:  
STAINLESS STEEL



11.90  
[.469 in]

▲ DOT DENOTES  
LED COLOR

NOTE:

1. ALL DIMENSIONS IN MM [INCH]
2. GENERAL TOLERANCE: X.X ± 0.4  
X.XX ± 0.25
3. TERMINAL NOS. FOR REF. ONLY
- ▲ 4. FUNCTION: SPDT
- ▲ 5. RATING: 2A @ 48VDC
6. ILLUMINATION VOLTAGE: 24 V
7. CONTACT RESISTANCE: 50mΩ MAX. @ 1A 12VDC
8. INSULATION RESISTANCE: 1,000MΩ @ 500VDC
9. DIELECTRIC STRENGTH: 2,000VAC MIN. FOR 1 MINUTE
10. ELECTRICAL LIFE: 50,000 CYCLES
11. OPERATING TEMPERATURE: -20°C TO 55°C
12. INGRESS PROTECTION: IP65
13. SUPPLIED HARDWARE: O-RING AND HEXNUT
14. ▲ DENOTES CRITICAL PARAMETER
15. 2002/95/EC (ROHS) COMPLIANT
- ▲ 16. ILLUMINATION COLOR: ORANGE

TITLE PV8F2T0SS-325				
SCALE	DATE	DR	DWG	REV
1:1	5/7/2012	rc	52-PV8F2T0SS325	B

THE INFORMATION CONTAINED IN THIS DOCUMENT IS PROPRIETARY  
TO E-SWITCH AND IS NOT TO BE COPIED OR TRANSFERRED

B	20981	CORRECT NOTED VALUES	1/22/13	EBP
A	20587	RELEASE FOR PRODUCTION	5/7/12	rc
REV	PCR NO	DESCRIPTION	DATE	BY